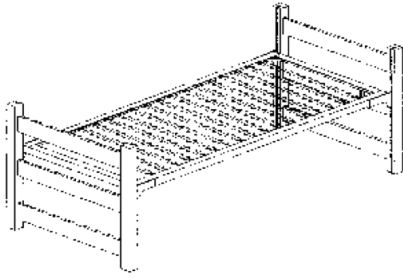
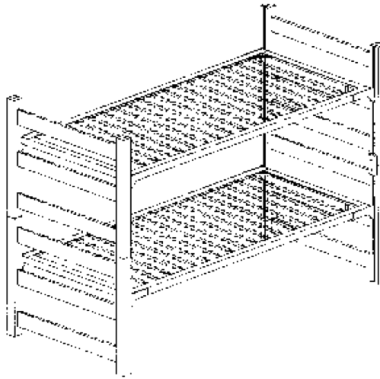


University Provided Bed Options and Dimensions



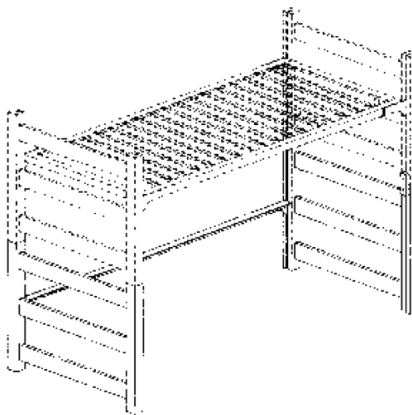
Junior Loft Bed

- Every student is provided a junior loft bed. Features:
- Two 36" high solid oak ends. Frame is 36" wide by 80" long.
- Adjusts to eleven different heights up to 36" high without hardware or tools
- Posts are 2 1/2 " square



Bunk Beds

- Two Junior Loft Beds can be bunked. Safety hardware is available.



Loft Kits

- Loft kits are available on a first-come, first-served basis.
- We have enough kits for approximately 40% of our beds.
- Loft kits raise the sleeping surface to approximately 5 feet high.